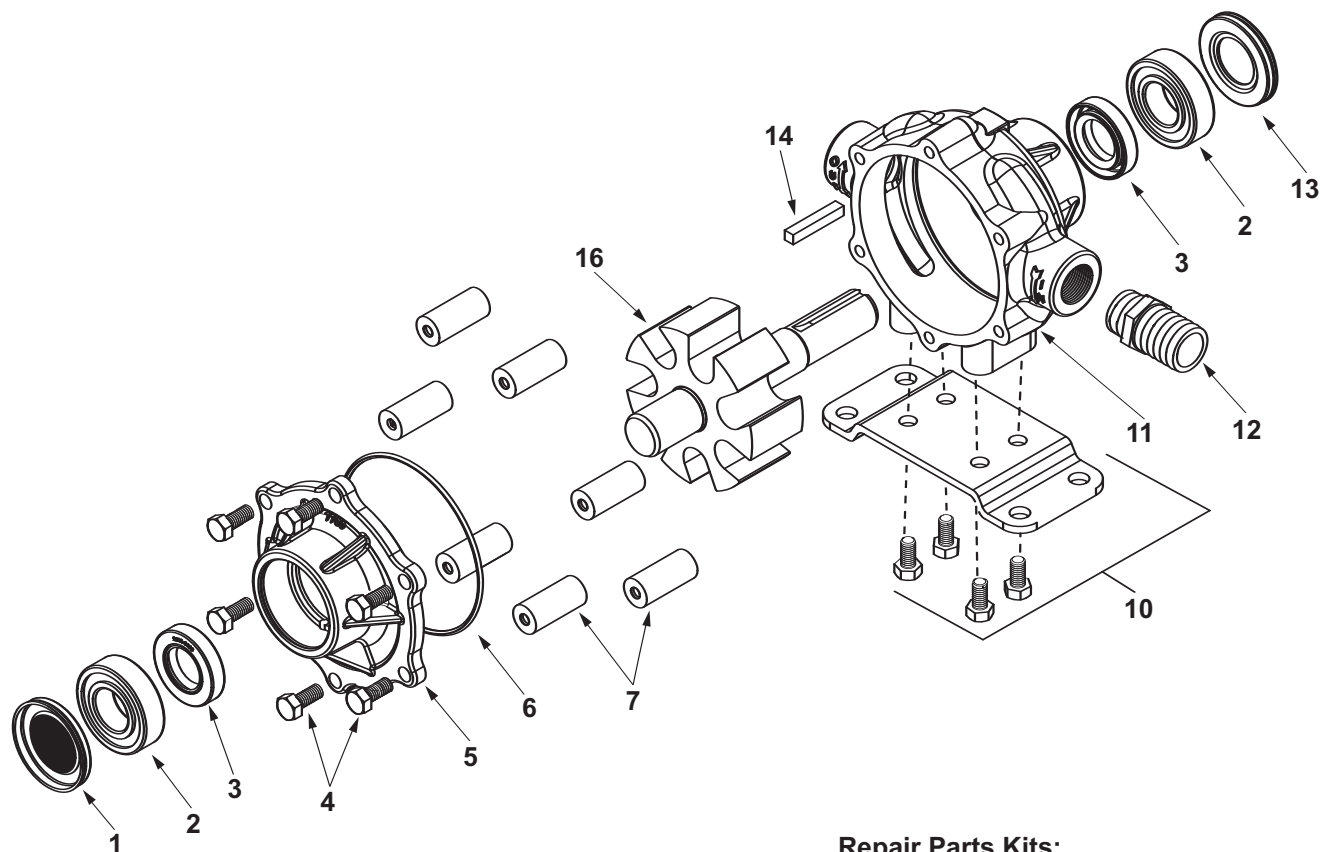


Series 7700



IMPORTANT:

When ordering parts, give PART NUMBER and PART DESCRIPTION. Reference Numbers are used ONLY to point out parts in the drawing and are NOT to be used as ordering numbers.

Repair Parts Kits:

No. 3430-0381 Consists of (8) Ref. 7 Super Rollers, (1) Ref. 6 O-ring, and (2) Ref. 3 Viton seals

No. 3430-0167 Consists of (8) Ref. 7 Polypropylene Rollers, (1) Ref. 6 O-ring, and (2) Ref. 3 Viton seals

Ref. No.	Qty. Req'd.	Part Number	Description
1	1	2300-0020	Bearing Cover
2	2	2008-0001	Sealed Ball Bearing
3	2	2112-0003	Viton Seal (Standard)
3	2	2112-0001	Buna-N Seal (Optional)
4	6	2210-0004	Bolts
5	1	0200-7700C	Endplate (Cast Iron) with Seal
5	1	0200-7700N	Endplate (Ni-Resist) with Seal
5	1	0200-7700X	Endplate (SilverCast) with Seal
6	1	1720-0014	O-ring Gasket for Endplate
7	8	1005-0004	Super Roller (Standard)
7	8	1002-0004	Polypropylene Roller (Optional)
7	8	1052-0004	Buna-N Roller (Optional)
7	8	1055-0004	Teflon Roller (Optional)

Ref. No.	Qty. Req'd.	Part Number	Description
10	1 kit	3420-0010	Base Kit - Sold Separately Includes: (1) Base and (4) Bolts
11	1	0100-7700C	Body (Cast Iron) with Seal
11	1	0100-7700N	Body (Ni-Resist) with Seal
11	1	0100-7700X	Body (SilverCast) with Seal
12	1	2404-0052	1" Hose Barb
13	1	2300-0022	Shaft Bearing Cover
14	1	1610-0005	Key
16	1	0300-7700C	Rotor Assembly (Cast Iron)
16	1	0300-7700N	Rotor Assembly (Ni-Resist)
16	1	0300-7700X	Rotor Assembly (SilverCast)
16	1	0301-7700C	Rotor Assembly (Cast Iron) Rev. Rot.
16	1	0300-7700N	Rotor Assembly (Ni-Resist) Rev. Rot.
16	1	0300-7700X	Rotor Assembly (SilverCast) Rev. Rot.