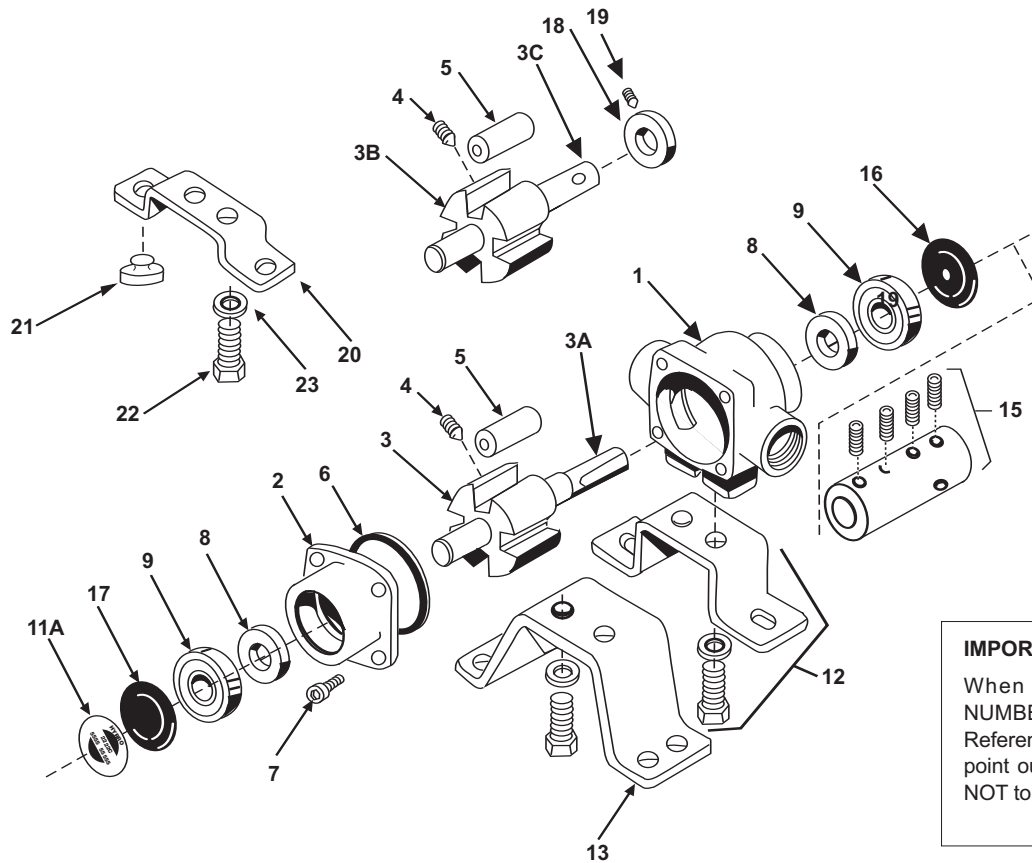


## Series 4000



**IMPORTANT:**

When ordering parts, give PART NUMBER and PART DESCRIPTION. Reference Numbers are used ONLY to point out parts in the drawing and are NOT to be used as ordering numbers.

Ref. No.	Qty. Req'd.	Part Number	Description
1	1	0100-4001C	Body (Cast Iron) with Std. Seal (4001)
1	1	0100-4101C	Body (Cast Iron) with Std. Seal (4101)
1	1	0100-4001N	Body (Ni-Resist) with Std. Seal (4001)
1	1	0100-4101N	Body (Ni-Resist) with Std. Seal (4101)
1	1	0100-4001X	Body (SilverCast) with Std. Seal (4001)
1	1	0100-4101X	Body (SilverCast) with Std. Seal (4101)
2	1	0200-4001C	Endplate (Cast Iron) with Std. Seal (4001)
2	1	0200-4101C	Endplate (Cast Iron) with Std. Seal (4101)
2	1	0200-4001N	Endplate (Ni-Resist) with Std. Seal (4001)
2	1	0200-4101N	Endplate (Ni-Resist) with Std. Seal (4101)
2	1	0200-4001X	Endplate (SilverCast) with Std. Seal (4001)
2	1	0200-4101X	Endplate (SilverCast) with Std. Seal (4101)
3	1	0300-4001C	Rotor (Cast Iron) & Shaft Assembly (4001)
3	1	0300-4101C	Rotor (Cast Iron) & Shaft Assembly (4101)
3	1	0300-4001N	Rotor (Ni-Resist) & Shaft Assembly (4001)
3	1	0300-4101N	Rotor (Ni-Resist) & Shaft Assembly (4101)
3	1	0300-4001X	Rotor (SilverCast) & Shaft Assembly (4001)
3	1	0300-4101X	Rotor (SilverCast) & Shaft Assembly (4101)
3A	1	0500-6600	Shaft Only
3B	1	0301-4001N	Rotor (Ni-Resist) & Shaft Assembly (4001)
3B	1	0301-4101N	Rotor (Ni-Resist) & Shaft Assembly (4101)
3B	1	0301-4101X	Rotor (SilverCast) & Shaft Assembly (4101)
3B	1	0301-4001X	Rotor (SilverCast) & Shaft Assembly (4001)
3C	1	0550-4001	Shaft Only (Hollow Shaft)
4	1	2230-0002	Rotor Set Screw
4	1	2230-0016	Rotor Set Screw (SilverCast Only)
5	4	1005-0002	Super Rollers (Std.)
5	4	1002-0002	Polypropylene Rollers (Optional)
5	4	1001-0002	Buna-N Rollers (Optional)
5	4	1055-0002	Teflon Rollers (Optional)
6	1	1720-0104	O-Ring Gasket for Endplate

Ref. No.	Qty. Req'd.	Part Number	Description
7	4	2220-0018	Endplate Screw
8	2	2107-0002	Viton Seal (Std.)
8	2	2102-0001	Buna-N Seal (Optional)
8	2	2102-0001T	Teflon Coated Buna-N Seal (Optional)
9	2	2000-0010	Ball Bearing (High temp. grease)
11A	1		Name Plate (Specify pump model #)
12	1	3420-0024	Base Kit — <b>Sold Separately</b> Includes: 1 Base, 2 Bolts, and 2 Lock washers for mounting pump to electric motors with 3-1/2" shaft centerline
13	1	3420-0025	Base Kit — <b>Sold Separately</b> Includes: 1 Base, 2 Bolts, and 2 Lock washers for mounting pump to electric motors/gas engines with 4-3/16" shaft centerlines
15	1 kit	1320-0016	Adapter with 4 set screws for gas engine mount (5/8" x 5/8") - <b>Sold Separately</b>
15	1 kit	1320-0015	Adapter (5/8" x 3/4")
16	1	2300-0023	Shaft Bearing Cover
17	1	2300-0021	Bearing Cover
18	1	1420-0001	Locking Collar
19	1	2230-0001	Set Screw
20	1	1510-0054	Base — <b>Sold Separately</b>
21	2	1450-0003	Bumper — <b>Sold Separately</b>
22	2	2210-0003	Bolt — <b>Sold Separately</b>
23	2	2260-0002	Lock Washer — <b>Sold Separately</b>

**Repair Parts Kit No. 3430-0390** Consists of: (4) Ref. 5 Super Rollers, (1) Ref. 6 O-Ring Gasket, (2) Ref. 8 Viton Seals.

**Repair Parts Kit No. 3430-0158** Consists of: (4) Ref. 5 Polypropylene Rollers, (1) Ref. 6 O-Ring Gasket, (2) Ref. 8 Viton Seals.